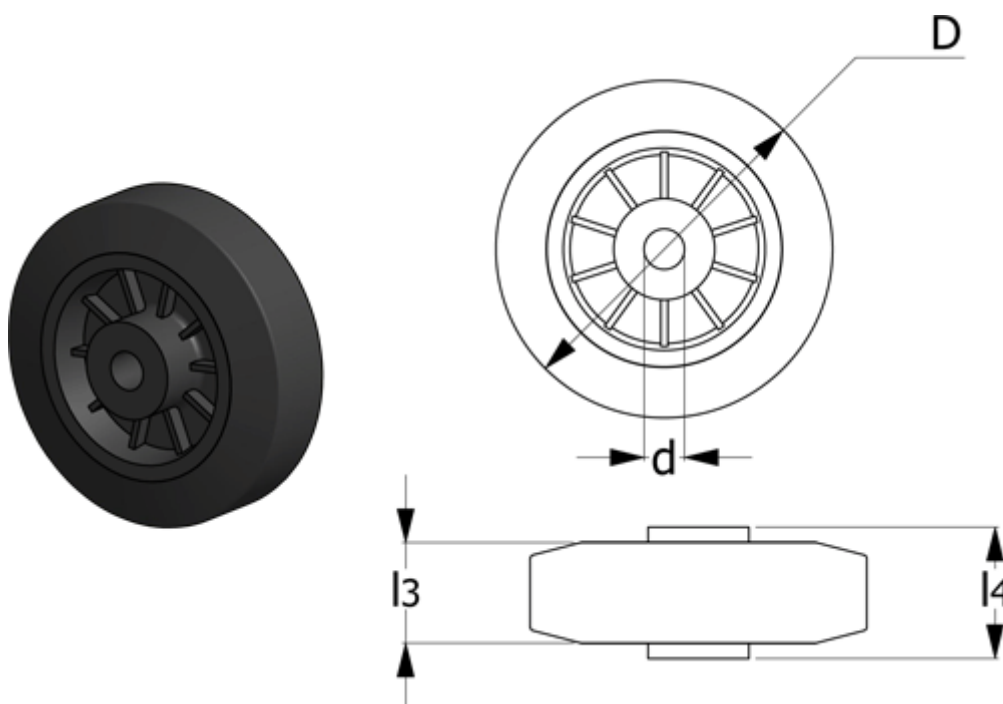


# Data Sheet



Article number: 2314449522  
Description: E+G rubber wheel 449522  
RE.E2-200-RBL loose wheel

## Measures



Code = 449522  
d = 20  
D = 200  
Dynamic load (N) = 2250  
g = 1310  
l3 = 50  
l4 = 59  
Max static load (N) = 4000

Rolling resistance (N) = 1400  
Type = RE.E2-200-RBL